

# Clarke®

## WOODWORKER



### VACUUM EXTRACTOR

MODEL NO: CWVE2

PART NO: 6471169

## OPERATING & MAINTENANCE INSTRUCTIONS

UK  
CA | CE



ORIGINAL INSTRUCTIONS

GC08/22

---

# INTRODUCTION

---

Thank you for purchasing this CLARKE Workshop Vacuum Dust Extractor.

Before attempting to use this product, please read this manual thoroughly and follow the instructions carefully. In doing so you will ensure the safety of yourself and that of others around you, and you can look forward to your purchase giving you long and satisfactory service.

## PRODUCT SPECIFICATIONS

Model Number	CWVE2
Dimensions (Length x Width x Height)	390 x 375 x 680 mm
Weight	9.5 kg (empty)
Container Capacity	50 Litres
Hose Length/Dia	2000 (extended) / Dia =100 mm
Airflow	183 m <sup>3</sup> /hr
Duty Cycle	S1 (continuous)
Input Power	1100W
Motor Speed	2000 rpm
Power Supply	230V @ 50Hz 1ph
Ingress Protection Rating	IPX0
Sound Power Level	98.2 LWA dB(A)
Sound Pressure Level	83.4 LWA dB(A)
Uncertainty Factor	3 dB(A)

---

# GENERAL SAFETY PRECAUTIONS

---

## WORK AREA AND PERSONAL SAFETY

1. Avoid operating in the presence of flammable liquids or gases. The motor may produce sparks during operation. **DO NOT** use in enclosed areas where flammable, explosive or toxic vapours are given off.
2. **ALWAYS** stay alert, watch what you are doing and use common sense when operating the dust extractor. **DO NOT** use while you are tired or under the influence of medication, drugs or alcohol. Lack of attention can result in personal injury.
3. **NEVER** over-reach. Keep your proper footing and balance at all times to enable better control of the dust extractor in unexpected situations.
4. **NEVER** use a power product if any part is damaged. Have it inspected and repaired by your CLARKE dealer. **DO NOT** use if the electric cable, plug, or the machine itself, is in poor condition.
5. **DO NOT** insert fingers or other objects into the inlet opening.
6. **ALWAYS** wear eye and ear protection when using the dust extractor.







## GENERAL PRODUCT USE AND CARE

1. Prior to use, all users should become familiar with the warnings in this instruction manual.
2. **ALWAYS** maintain the dust extractor with care and keep it clean for best/ safest performance.
3. **NEVER** abuse the power cable. **NEVER** pull on the cable when removing the plug from the socket or lift the extractor by the power cable. Take care not to close doors on the cable or allow it to become snagged under objects with sharp edges. Keep away from heat or oil.
4. Only use extension leads that are of an appropriate power rating and suitable for the work environment. Extension leads must have an earth connection. Inspect the extension lead regularly and replace if damaged.
5. **NEVER** abuse the dust extractor by standing on it.
6. **ALWAYS** store out of reach of children.
7. Only use parts and accessories recommended in this manual. The use of unauthorised accessories or attachments is not permitted and may result in personal injury or damage to the dust extractor.
8. **DO NOT** attempt to repair or modify this product or attempt any electrical repair yourself. Consult a qualified electrician or the CLARKE Service Department on 020 8988 7400.

## DUST EXTRACTOR SPECIFIC SAFETY INSTRUCTIONS

1. This product is for indoor use only.
2. This dust extractor is for collecting wood chips, shavings and dust particles only. **DO NOT** use with hazardous substances i.e. MDF dust.
3. **ALWAYS** ensure that the dust extractor is properly positioned where necessary to prevent it from moving during use and that the immediate area is kept clear.
4. **ALWAYS** use a face or dust mask if operation is particularly dusty including when disposing of the contents.
5. **ALWAYS** disconnect the dust extractor from the power supply before servicing or removing & emptying the filter bag etc.
6. **NEVER** leave the dust extractor running unattended. Turn power off and wait for the machine to stop before leaving.
7. **DO NOT** use in enclosed areas where flammable, explosive or toxic vapours are given off, by oil based paints, paint thinner, petrol etc.
8. **NEVER** pick up flammable or readily combustible material, including burning cigarettes or other smoking substances.
9. **NEVER** attempt to pick up liquids with this vacuum extractor.
10. **ALWAYS** use in an upright position. **ALWAYS** transport using the handle.
11. **ALWAYS** take care when a long hose is required in the work area as it presents a trip hazard. Tidy the hose away when the job is finished.
12. **DO NOT** use without the inlet hose attached and ensure the cover is securely in place when in operation.

## SAFETY SYMBOLS

	Read instruction manual before use		Wear dust mask
	Falls under the Weee Directive as described on page 10.		Wear ear defenders
	Indoor use only		Wear safety glasses

The above safety symbols appear on the product.

## ELECTRICAL CONNECTIONS




**WARNING! READ THESE ELECTRICAL SAFETY INSTRUCTIONS THOROUGHLY BEFORE CONNECTING THE PRODUCT TO THE MAINS SUPPLY.**

Before switching the product on, make sure that the voltage of your electricity supply is the same as that indicated on the rating plate. This product is designed to operate on 230VAC 50Hz. Connecting it to any other power source may cause damage.

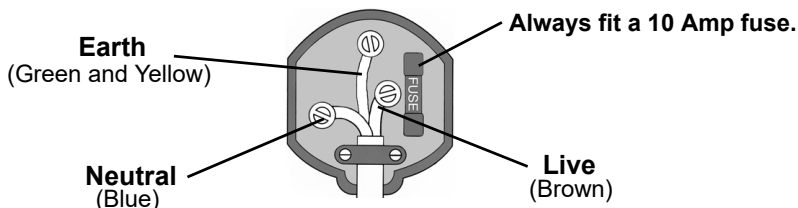
This product may be fitted with a non-rewireable plug. If it is necessary to change the fuse in the plug, the fuse cover must be refitted. If the fuse cover becomes lost or damaged, the plug must not be used until a suitable replacement is obtained.

If the plug has to be changed because it is not suitable for your socket, or due to damage, it should be cut off and a replacement fitted, following the wiring instructions shown below. The old plug must be disposed of safely, as insertion into a mains socket could cause an electrical hazard.

If the colours of the wires in the power cable of this product do not correspond with the markings on the terminals of your plug, proceed as follows.

- The **Blue** wire must be connected to the terminal marked **N** or **coloured black**.
- The **Brown** wire must be connected to the terminal marked **L** or coloured red
- The **Yellow and Green** wire must be connected to the terminal marked **E** or  or coloured **Green**.

**Plug must be BS1363/A approved.**



**Ensure that the outer sheath of the cable is firmly held by the clamp**

We strongly recommend that this machine is connected to the mains supply via a Residual Current Device (RCD). If in any doubt, consult a qualified electrician. DO NOT attempt any repairs yourself.

# COMPONENTS



When unpacking please check contents and advise your dealer immediately if any parts are missing. The essential components are as follows:

Pos	Description
1	Inlet Hose
2	Dust Container
3	Retaining Band
4	On/OFF Switch
5	Motor Housing
6	Hose Clamps (x2)

Pos	Description
7	Tapered Hose Connector
8	Straight Hose Connector
9	Filter Cartridge
10	Filter Bags
11	Hose Adaptor Set (dims shown)

## ASSEMBLY

1. Place filter cartridge (1) into a filter bag (2) as in Fig 1.

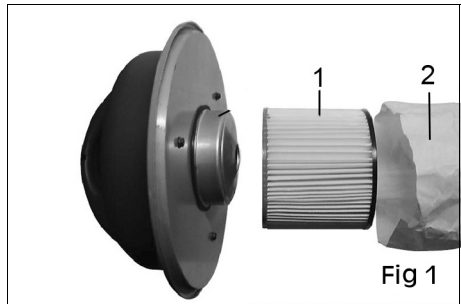


Fig 1

2. Fold any overhang into the filter cartridge.

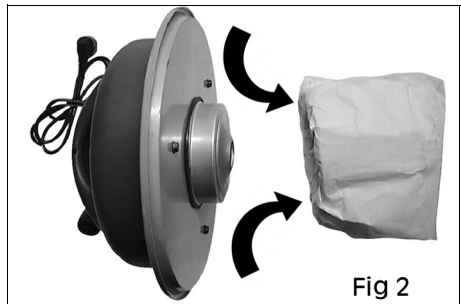


Fig 2

3. Push the filter cartridge (1) complete with bag (2), onto the fan housing part of the motor casing (3).

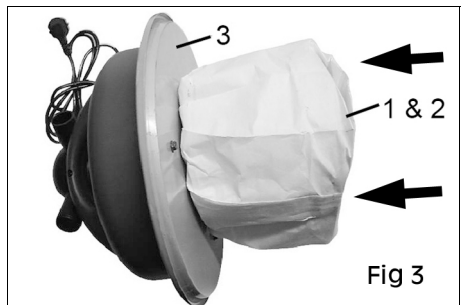


Fig 3

4. Attach the inlet hose to the tapered hose connector using one hose clamp as shown in Fig 5.
5. Push-fit the hose connector to the dust collector body.

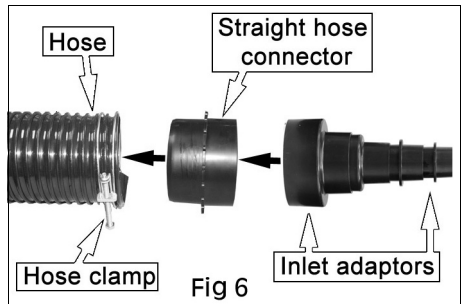


Fig 4

6. Seat the motor housing with filter cartridge/bag onto the canister and secure in place with the locking strap. The over-centre clasp will lock into place.



7. Secure the other end of the inlet hose to the straight hose connector using the remaining hose clamp as shown in Fig 6.
  - The inlet adaptors can then be connected to the straight hose connector as required to suit the size of the extract duct on the woodworking appliance to be used.





---

# OPERATION

---

## PREPARING FOR USE

Before plugging into the power supply, the dust extractor should be positioned on a firm, level surface. DO NOT cover it and always position it with good all-round air ventilation. The dust extractor must remain upright.

1. Select one of the four hose adaptors that best fits the dust producing machine outlet and attach it to the hose connector.
2. Connect the adaptor to the dust producing machine outlet. Make sure the connection is secure.
3. Plug in the dust collector to a convenient power supply and switch on.
  - Take care not to suck in foreign objects such as screws, nails, large pieces of plastic or wood etc.

## EMPTYING THE CONTENTS

1. Empty the dust extractor after use and clean it when required. Dislodge as much imbedded debris as possible from the filter. Check the filter is not clogged before fitting the filter over the motor inlet.
2. Check and empty the collection canister regularly.
  - The machine operates at a much higher level of efficiency when the collection canister is empty.
3. Pull out the handle of the locking strap to release and remove the locking strap.
4. Remove the motor housing with the filter cartridge/ bag by lifting the top handle.
5. Empty chips and dust into a suitable receptacle. Dispose of appropriately.
6. Replace the motor housing with the filter cartridge/bag on to the collection canister and lock in place with the locking strap.

---

# MAINTENANCE

---

## ROUTINE CHECKS

Regularly inspect the filter for damage before use and replace if necessary.

Regularly check the tightness of the filter and filter bag.

Regularly check the power cable is free from cracks, bare wires etc.

Ensure the hose is kept in good condition. A damaged hose will seriously effect the efficiency of the dust extractor and should be replaced. Contact your CLARKE dealer for replacements.

## CARE & STORAGE

1. When not in use, switch off and unplug from the power supply and ensure the power cable is not left as a hazard for persons to trip over.
2. With the dust extractor unplugged from the power supply, use a dry cloth to wipe over the casing. DO NOT use solvents, thinners or alcohol as these chemicals will damage the finish.
3. Store the dust extractor in a secure, dry place, out of the reach of children. DO NOT leave it exposed to the elements and avoid direct sunlight, direct heat, rain/moisture etc.

## ENVIRONMENTAL RECYCLING POLICY



By purchasing this product, the customer is taking on the obligation to deal with its safe disposal in accordance with the Waste Electrical and Electronic Equipment (WEEE).

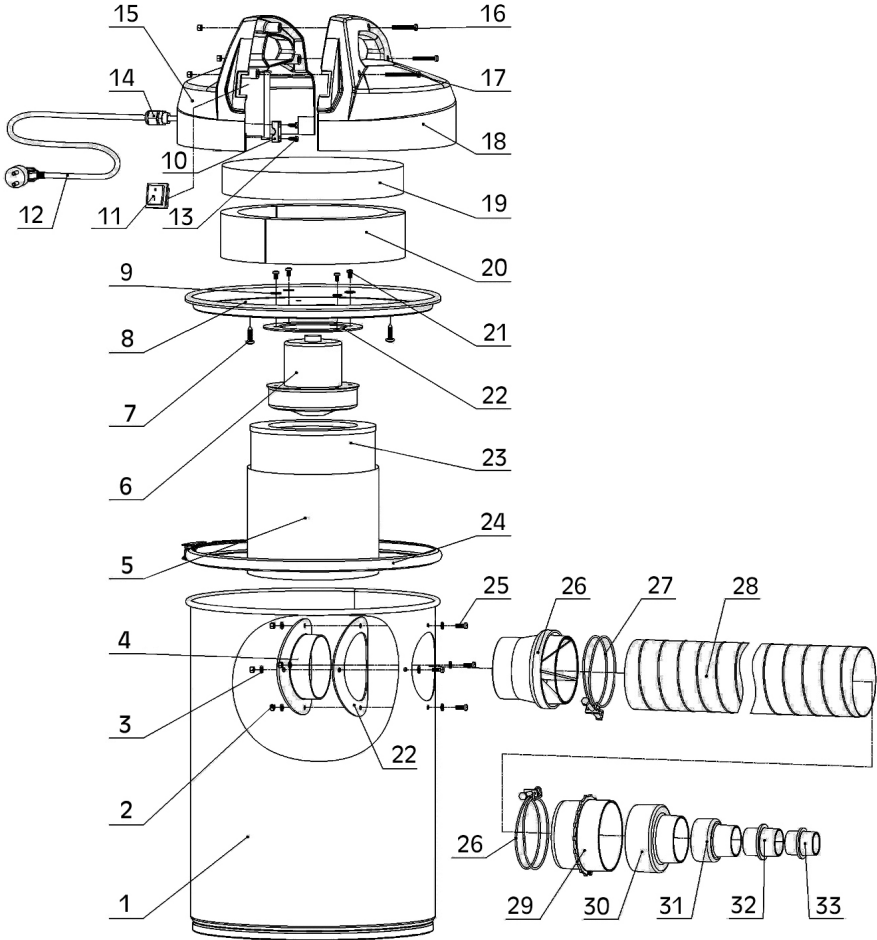
In effect, this means that this product must not be disposed of with general household waste. It must be disposed of according to the laws governing Waste Electrical and Electronic Equipment (WEEE) at a recognised disposal facility.

If disposing of this product or any damaged components, do not dispose of with general waste. This product contains valuable raw materials. Metal products should be taken to your local civic amenity site for recycling of metal products.

# TROUBLESHOOTING

<b>Problem</b>	<b>Possible cause</b>	<b>Suggested Remedy</b>
Machine will not start	<ol style="list-style-type: none"> <li>1. No power supply. Circuit breaker is tripped</li> <li>2. On/off switch is broken</li> <li>3. Motor faulty</li> </ol>	<ol style="list-style-type: none"> <li>1. Check the socket, cable &amp; plug. Reset circuit breaker</li> <li>2. If necessary, have them repaired by your CLARKE dealer.</li> </ol>
Motor will not run	<ol style="list-style-type: none"> <li>1. Defective switch</li> <li>2. Defective or damaged power cable</li> <li>3. Open circuit, loose connections, or burned out motor</li> </ol>	<ol style="list-style-type: none"> <li>1. Consult your CLARKE dealer.</li> <li>2. Have an electrician check the cable.</li> <li>3. Contact your CLARKE dealer</li> </ol>
Motor slow to start or fails to reach full speed	<ol style="list-style-type: none"> <li>1. Burned or defective motor</li> <li>2. Worn brushes</li> </ol>	<ol style="list-style-type: none"> <li>1. Check motor, replace if necessary</li> <li>2. Inspect brushes, replace if necessary</li> </ol>
Motor overheats	<ol style="list-style-type: none"> <li>1. Motor overloaded</li> <li>2. Improper motor cooling</li> </ol>	<ol style="list-style-type: none"> <li>1. Reduce load by reducing dust collection</li> <li>2. Clean dust from motor</li> </ol>
Unit has vibration or noisy operation	<ol style="list-style-type: none"> <li>1. Motor or components are loose</li> <li>2. Motor bearings faulty</li> </ol>	<ol style="list-style-type: none"> <li>1. Inspect/replace any stripped or damaged bolts/nuts &amp; retighten</li> <li>2. Take to your CLARKE dealer.</li> </ol>
Loud, repetitious noise or excessive vibration coming from dust collector	<ol style="list-style-type: none"> <li>1. Dust container full</li> <li>2. Filter cartridge/bag is dirty or damaged</li> <li>3. Dust collector hose restricted</li> <li>4. The dust may be damp and not flowing through the hose smoothly</li> <li>5. There is a leak in the hose</li> </ol>	<ol style="list-style-type: none"> <li>1. Empty canister</li> <li>2. Clean filter cartridge/bag or replace</li> <li>3. Remove hose from dust collector inlet and unblock the restriction in the hose.</li> <li>4. Process dust with less than 20% moisture content</li> <li>5. Inspect and replace hose</li> </ol>

# COMPONENT PARTS



## COMPONENT PARTS

No	Description	No	Description
1	Container	18	Right guard
2	Nut M5	19	Round Sponge
3	Flat Washer 5dia	20	Long Sponge
4	Suction Inlet	21	Phillips screw M5 x 8
5	Filter Bag	22	Sealing gasket
6	Motor	23	Filter cartridge
7	Phillips screw ST6.3x22	24	Locking Strap
8	Top Cover	25	Phillips screw M5 x 14
9	Large flat washer 5 dia	26	Hose coupling 2
10	Cable clamp	27	Hose clamp
11	Switch	28	Suction hose
12	Power Cable with Plug	29	Hose coupling 1
13	Phillips screw ST4.2x13	30	Hose Adaptor 1
14	Cable gland	31	Hose Adaptor 2
15	Left Guard	32	Hose Adaptor 3
16	Phillips screw M5 x 35	33	Hose Adaptor 4
17	Phillips screw M5 x 35		

### GUARANTEE

This product is guaranteed against faulty manufacture for a period of 12 months from the date of purchase. Please keep your receipt which will be required as proof of purchase.

This guarantee is invalid if the product is found to have been abused or tampered with in any way, or not used for the purpose for which it was intended.

Faulty goods should be returned to their place of purchase, no product can be returned to us without prior permission.

This guarantee does not affect your statutory rights.

# DECLARATION OF CONFORMITY-UK



**Clarke**<sup>®</sup>  
**INTERNATIONAL**

Hernnoll Street, Epping, Essex CM16 4LG

## DECLARATION OF CONFORMITY

**This is an important document and should be retained.**

**We hereby declare that this product(s) complies with the following statutory requirement(s):**

*Supply of Machinery (Safety) Regulations 2008*

*Electromagnetic Compatibility Regulations 2016*

*The Restriction of the Use of Certain Hazardous Substances in Electrical and Electronic Equipment Regulations 2012*

**The following standards have been applied to the product(s):**

*EN 60335-1:2012+A11+A13, EN 60335-2-69:2012, EN 62233:2008, EN 55014-1:2017,*

*EN 55014-2:2015, EN IEC 61000-3-2:2019, EN 61000-3-3:2013, IEC 62321-1:2013,*

*IEC 62321-2:2013, IEC 62321-3-1:2013, IEC 62321-4:2013+AMD1:2017CSV, IEC 62321-5:2013,*

*IEC 62321-6:2015, IEC 62321-71:2015, IEC 62321-7-2:2017, IEC 62321-8:2017, ISO 17075-1:2017.*

The technical documentation required to demonstrate that the product(s) meet(s) the requirement(s) of the aforementioned legislation has been compiled and is available for inspection by the relevant enforcement authorities.

**The UKCA mark was first applied in: 2022**

**Product Description:** Workshop Vacuum Dust Extractor

**Model number(s):** CWVE2

**Serial / batch Number:** N/A

**Date of Issue:** 04/07/2022

**Signed:**

**J.A. Clarke**  
**Director**

# DECLARATION OF CONFORMITY-EU



**Clarke**<sup>®</sup>  
**INTERNATIONAL**

Fitzwilliam Hall, Fitzwilliam Place, Dublin 2

## DECLARATION OF CONFORMITY

**This is an important document and should be retained.**

**We hereby declare that this product(s) complies with the following directive(s):**

2006/42/EC *Machinery Directive*  
2014/30/EU *Electromagnetic Compatibility Directive*  
2011/65/EU *Restriction of the Use of Certain Hazardous Substances in Electrical and Electronic Equipment Directive*

**The following standards have been applied to the product(s):**

EN 60335-1:2012+A11+A13, EN 60335-2-69:2012, EN 62233:2008, EN 55014-1:2017,  
EN 55014-2:2015, EN IEC 61000-3-2:2019, EN 61000-3-3:2013, IEC 62321-1:2013,  
IEC 62321-2:2013, IEC 62321-3-1:2013, IEC 62321-4:2013+AMD1:2017CSV, IEC 62321-5:2013,  
IEC 62321-6:2015, IEC 62321-71:2015, IEC 62321-7-2:2017, IEC 62321-8:2017, ISO 17075-1:2017.

The technical documentation required to demonstrate that the product(s) meet(s) the requirement(s) of the aforementioned directive(s) has been compiled and is available for inspection by the relevant enforcement authorities.

**The CE mark was first applied in: 2022**

**Product Description:** Workshop Vacuum Dust Extractor  
**Model number(s):** CWVE2  
**Serial / batch Number:** N/A  
**Date of issue:** 04/07/2022

**Signed:**

**J.A. Clarke**  
**Director**

# A SELECTION FROM THE VAST RANGE OF

# Clarke®

## QUALITY PRODUCTS



### **AIR COMPRESSORS**

From DIY to industrial, Plus air tools, spray guns and accessories.

### **GENERATORS**

Prime duty or emergency standby for business, home and leisure.

### **POWER WASHERS**

Hot and cold, electric and engine driven - we have what you need

### **WELDERS**

Mig, Arc, Tig and Spot. From DIY to auto/industrial.

### **METALWORKING**

Drills, grinders and saws for DIY and professional use.

### **WOODWORKING**

Saws, sanders, lathes, mortisers and dust extraction.

### **HYDRAULICS**

Cranes, body repair kits, transmission jacks for all types of workshop use.

### **WATER PUMPS**

Submersible, electric and engine driven for DIY, agriculture and industry.

### **POWER TOOLS**

Angle grinders, cordless drill sets, saws and sanders.

### **STARTERS/CHARGERS**

All sizes for car and commercial use.

## **PARTS & SERVICE: 0208 988 7400**

**Parts Enquiries**  
[Parts@clarkeinternational.com](mailto:Parts@clarkeinternational.com)

**Servicing & Technical Enquiries**  
[Service@clarkeinternational.com](mailto:Service@clarkeinternational.com)

SALES: UK 01992 565333 or Export 00 44 (0)1992 565335

**Clarke** INTERNATIONAL Hemnall Street, Epping, Essex CM16 4LG  
[www.clarkeinternational.com](http://www.clarkeinternational.com)